

CONSTRUCTION

Cabinet is 5/8" Melamine construction with full access design with a fluted dowel joining system.

CABINET INTERIORS

Standard cabinet interiors are a White or Maple Melamine. Option to customize the interior finish is available.

SHELVES (A)

Standard shelves are 5/8" thick Melamine adjustable with PVC edge tape.

END PANELS (B)

End panels are 5/8" thick Melamine with PVC edge tape. Exposed wood veneer end panels are stained to match selected finish.

TOP AND BOTTOMS (C)

Wall and Tall cabinet tops and Wall, Base, Vanity and Tall cabinet bottoms are a 5/8" thick shelf dowelled into the cabinet side.

BACKS (D)

Backs on all standard cabinets are 5/8" thick and dowelled into the end panels.

TOEKICKS (E)

Standard toekicks are 4 1/2" high x 5/8" thick, finished to match your selection. Universal Design cabinet toekicks are 8 1/2" and 6" deep finished to match your selection.

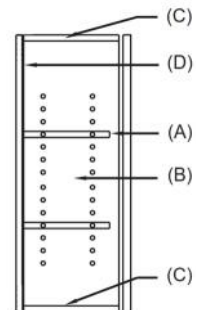
HINGES

The standard hinge is a concealed 110 degree, 6-way adjustable clip-on hinge with a stamped steel cup and hinge body (lifetime guarantee). Other hinge options include: a 180 degree hinge and Soft Close for doors.

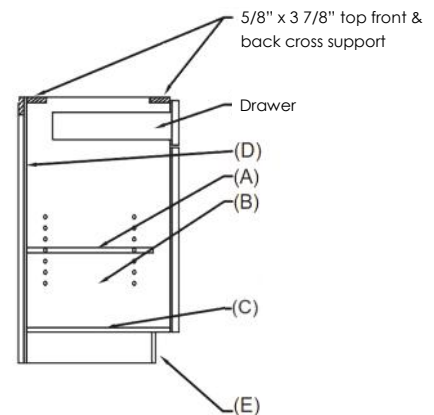
DRAWER BOX

The standard drawer box has doubled wall metal sides, metallic champagne color with concealed undermount roller bearing full extension drawer slide with integrated soft close (drawer slide has integral height adjustment) Lifetime guarantee. Other Drawer box options include: Natural Birch Dovetail full extension drawer with soft close.

STANDARD WALL



STANDARD BASE & VANITY



STANDARD TALL

